

HerzMag

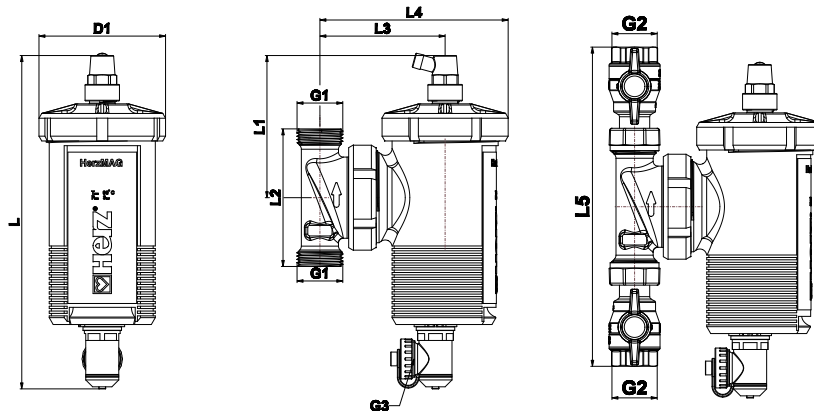
Air and magnetic filter for heating systems



- ❑ Removes impurities and metal particles from the heating system
- ❑ Extends circulation pump life
- ❑ 360 degree installation
- ❑ Easy installation
- ❑ Easy maintenance

Air and magnetic filter for heating systems

☑ Dimensions and components



Order Nr.	DN	L [mm]	L1 [mm]	L2 [mm]	L3 [mm]	L4 [mm]	L5 [mm]	D1 [mm]	G1 [in]	G2 [in]	G3 [in]	BV*
1 1124 12	20	240,2	103	100	89,2	132	/	Ø86	1"	/	3/4"	x
1 1124 13	25	240,2	103	100	89,2	132	/	Ø86	1-1/4"	/	3/4"	x
1 1301 02	20	240,2	103	100	89,2	132	230	Ø86	/	3/4"	3/4"	✓
1 1301 03	25	240,2	103	100	89,2	132	247	Ø86	/	1"	3/4"	✓

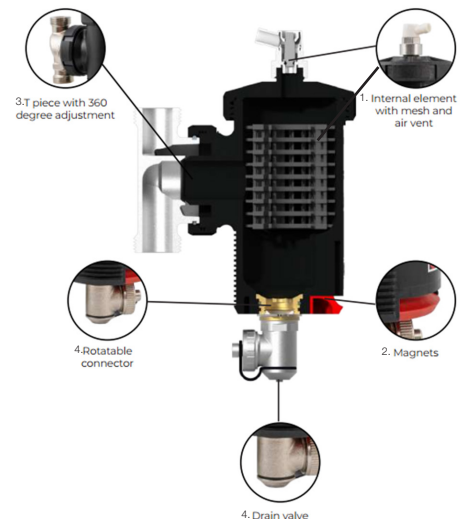
*Ball valves included

☑ Operating conditions and medium

Maximum temperature: 95°C
 Medium: Heating water quality according ÖNORM H5195 or VDI-Standard 2035. The use of ethylene or propylene glycol in a mixing ratio 25-50% is allowed.
 Maximum pressure: PN 3 bar

☑ Components

- 1 - Internal element with mesh and air vent
- 2 - Magnet
- 3 - Rotatable connector
- 4 - T piece with 360 degree adjustment



☑ Operating principle

Due to the specially designed interior of the filter housing and mesh, the flow of the medium slows down upon entry, which helps to separate impurities more effectively. Only these fall into the lower part of the filter housing when the flow is slowed down.

In the lower part of the filter, iron impurities stop on the walls. This is ensured by two magnets located in a removable holder on the outside of the housing.

When the magnet holder is removed, iron impurities fall into the discharge valve. By opening the discharge valve, impurities can be flushed out while the system is operating.

Air and magnetic filter for heating systems

Availability

HerzMag for heating systems is available in four versions. Two versions without valves with external connections G1" and G1-1/4" and two versions with valves with internal connections G3/4" and 1".

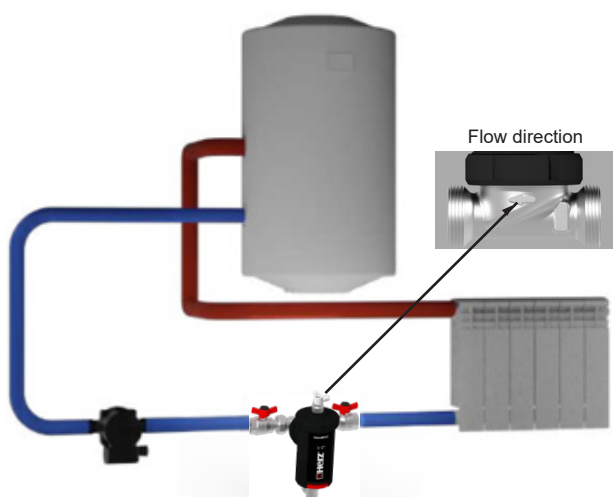


Installation

The HerzMag can be installed on any angle of the pipeline.



It is preferably installed on the return circuit upstream after the radiator before the boiler and circulation pump so that the particles can be caught before they reach the boiler and circulation pump. When installing in the system, it is necessary to consider the flow's direction, which is shown on the brass T - piece.



 **HERZ d.o.o.**

 **HERZ d.o.o.**

 **HERZ d.o.o.**

 **HERZ Kovina Unitas Slovenija**

HERZ d.o.o.

Grmaška cesta 3, 1275 Šmartno pri Litiji, Slovenia

T: +386 1 896 21 02

F: +386 1 896 21 40

E: info@herz.si

www.herz.si

