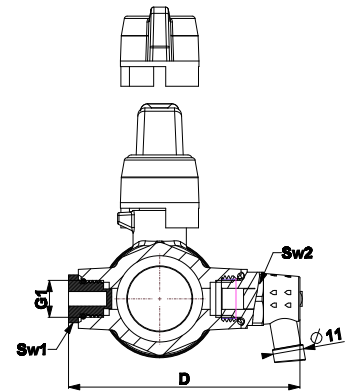
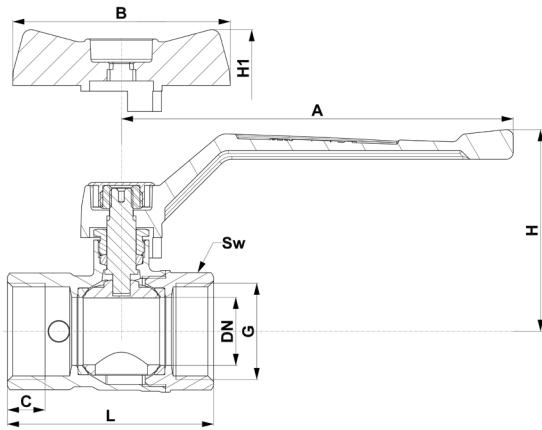
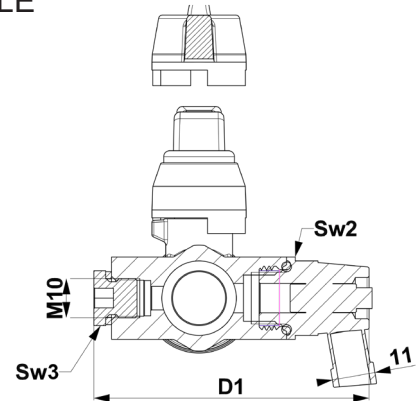
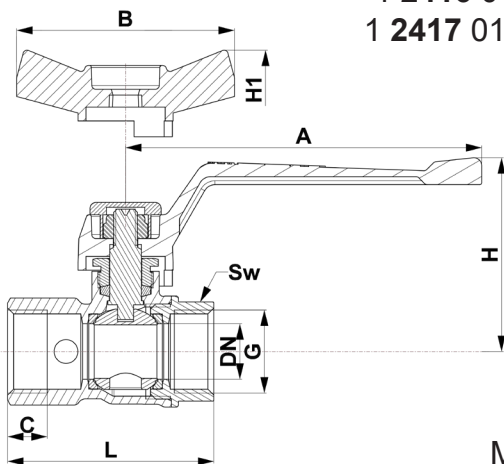


HERZ - Ball valve with drain MULTIPOINT

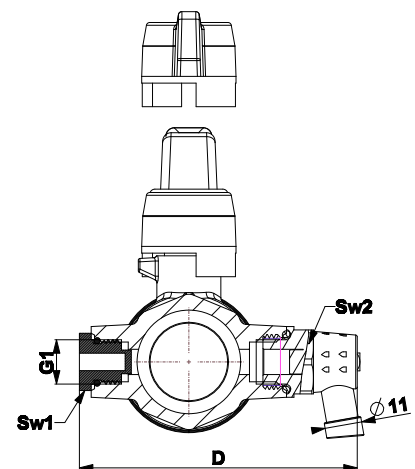
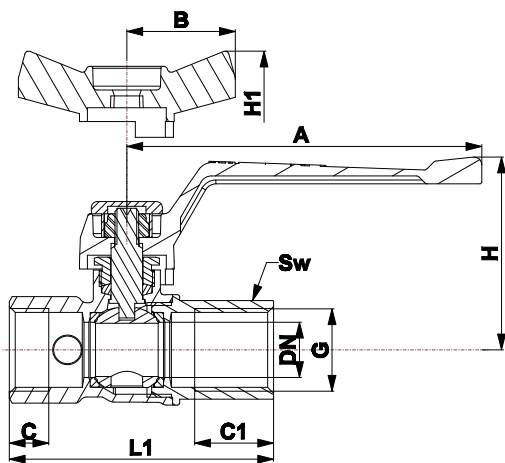
Datasheet 1 241X XX, Issue 0526



STANDARD VERSION
1 2416 01 (6) - LONG HANDLE
1 2417 01 (4) - SHORT HANDLE



M10 VERSION
1 2416 11 (2) - LONG HANDLE
1 2417 11 (2) - SHORT HANDLE



EXTENDED VERSION
1 2416 21 (2) - LONG HANDLE
1 2417 21 (2) - SHORT HANDLE

☑ Dimensions

DN	G ISO228	G1 ISO228	L [mm]	L1 [mm]	D [mm]	D1 [mm]	C [mm]	C1 [mm]	A [mm]	B [mm]	H [mm]	H1 [mm]	Sw	Sw1	Sw2	Sw3
15	G1/2	G1/4	52,1	67	69,1	70,1	10	13	90	55	48,8	38,4	25	17	19	6
20	G3/4	G1/4	59,4	71	74,5	75,5	10	14	90	55	51,1	40,6	30	17	19	6
25	G1	G1/4	71,1	-	82,5	-	13	-	135	75	69,5	53,5	38	17	19	-
32	G5/4	G1/2	89,0	-	89,0	-	14	-	135	75	73	75	47	22	19	-
40	G6/4	G1/2	97,5	-	96,8	-	14	-	180	-	91,5	-	52,5	22	19	-
50	G2	G1/2	120,8	-	110,9	-	17	-	180	-	100	-	66	22	19	-

☑ Construction

Body:	forged brass acc. EN 12165, nickel-plated, CW617N
Ball:	forged brass, chrom-plated, CW617N
Spindle:	brass, CW617N
Handle:	aluminium alloy: long/short red
Ball seal:	PTFE
Spindle and connection seal:	PTFE
Connections:	threads acc. ISO 228

☑ Operating data

Operating pressure:	max. 25 bar
Operating range:	-10°C to +110 °C, (water +0,5 °C to +110 °C - no steam)
Medium:	water (non-aggressive media)

Heating water quality according to ÖNORM H5195 or VDI- Standard 2035. The use of ethylene or propylene glycol in amixing ratio 25- 50% is allowed. Please refer to manufacturers documentation when using ethylene glycol products for frost and corrosion protection. Please note that EPDM gaskets will be affected by Mineral oils lubricants and thus lead to failure of the EPDM seals in the valves that use EPDM seals. The HERZ MULTIPORT ball valve is not suitable for usage of aggressive medium (such as: acids, alkalis, combustible and explosive gases...) because it can destroy sealing components.

☑ Description of HERZ MULTIPORT ball valves

HERZ multiport ball valves are high quality products that are assembled and pressure tested during the manufacturing process under constant quality control.

Advantages of HERZ MULTIPORT ball valves are:

- all integrated components are the result of our own development,
- possibility of high pressure, high or low temperature and high flow of medium,
- easy to use and maintain,
- reliable design and long service life,
- permanent quality control of production in our own factories,
- easy installation

☑ Field of application

HERZ ball valves are designed for use as shut-off elements in building services, including heating and chilled water plants, as well as in industrial and construction applications. They are used wherever the medium flow needs to be reliably closed. Additionally, the valves function as closing, filling, and draining fittings, featuring a drainage valve mounted at the outlet (G1).

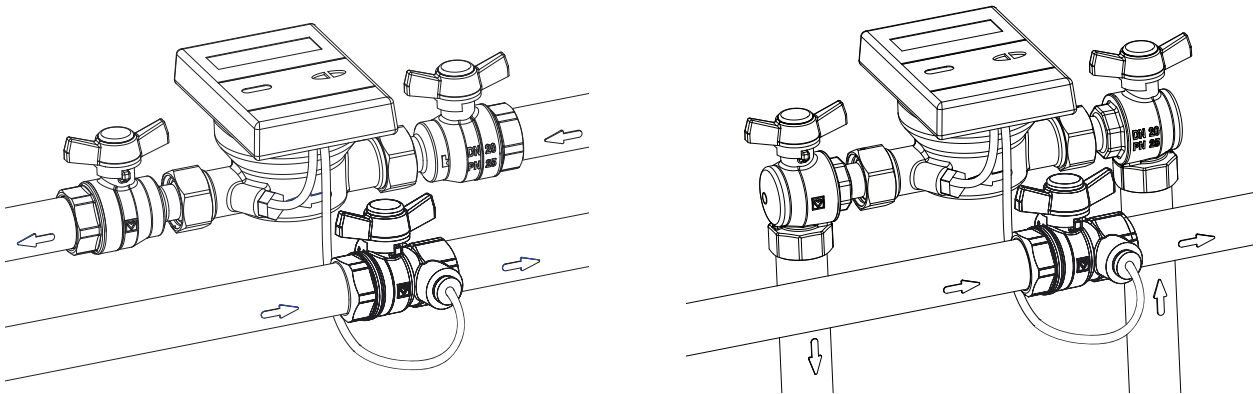
For draining an installation, the ball valve must first be closed before the medium is emptied. Before refilling, the drainage valve must be securely closed. Ball valves should not be used as regulating elements and must always be either fully opened or fully closed—keeping the handle in an intermediate position is not recommended.

1. Standard Version - Valves with plug and drain plug (1 2416 0X)

Valves DN15–DN25 are equipped with plug 1 0240 09 and drain plug 1 0241 09.
 Valves DN32–DN50 are equipped with plug 1 2331 01 and drain plug 1 6383 23.

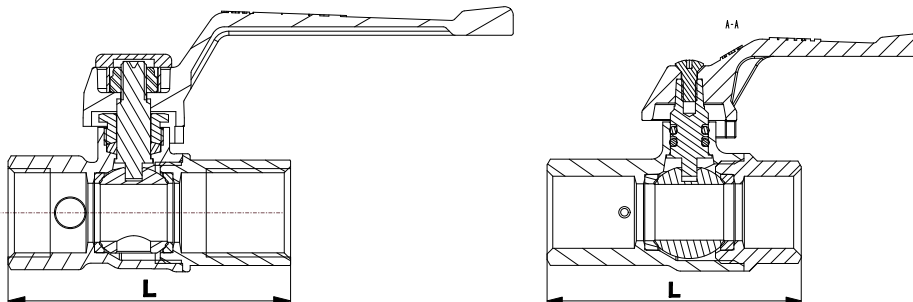


2. DN15 and DN20 Multiport with M10 thread for water meter. (1 2416 2X)



3. Extended version DN15-DN20 (1 2416 1X)

The extended valve version is designed to replace old drain valves (1 2402 XX), maintaining the same face-to-face (installation) length.



☑ Accessories

A) Thermometer 1 0240 01

To use a thermometer:

For valves DN15–DN25, only the thermometer is needed.

For valves DN32–DN50, items 1 0241 01 and 1 0240 09 must also be purchased.



B) Pressure gauge 1 2682 34

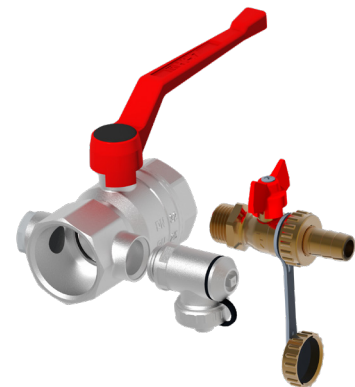
For valves DN15–DN25: remove plug 1 0240 09 or drain plug 1 0241 09 and install pressure gauge 1 2682 34.

For valves DN32–DN50: remove plug 1 2331 01 or drain plug 1 6383 23 and install reducing plug 1 0241 01 together with pressure gauge 1 2682 34.



C) Drain valve G1/2" INOX 1 8635 56 and Filling ball valve G1/2" 1 2512 01

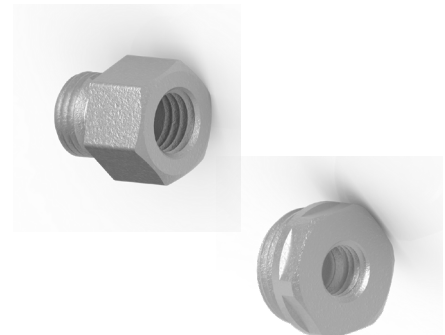
Suitable only for valves DN32–DN50.



D) Adapters with M10 thread for water meter

For valves DN25: remove plug 1 0240 09 and install adapter 1 6319 34

For valves DN32–DN50: remove plug 1 2331 01 and install adapter 1 6319 35



☑ Assembly instruction

The threads of the pipe have to be coated with a suitable sealing material (spinning material, Teflon ribbon, sealing paste). There should not be excess of sealing material on the pipe because it can damage the thread. The ball valve with thread (G) is screwed onto the pipe. The pipes have to be correctly aligned, so the valve is not loaded with a bending moment. When using cooper or plastic pipes take into account pressure and temperature limits of used material. When assembling, use a suitable assembly tool that adapts to valve end connections (Sw, Sw1). The ball valve can be mounted in any position: horizontal, vertical or upside-down. Following assembly, the connections of ball valve must be checked for water-tightness by the installer. All engineering standards and recognised regulations must be adhered by these specialist staff. If there are impurities in the medium (water too hard, dust, etc.) there should be a filter installed, in other case the impurities can damage the seals in the valve

☑ Brass

HERZ use top-quality brass that responds to the latest European norms DIN EN 12164, DIN EN 12165 and DIN EN 1982. Housings of ball valves are made from brass due to its good strenght, excellent corrosion resistance and variety of other properties.

☑ Function principle

Inspect the position of the handle to see whether the ball valve is opened or closed. It is opened if the handle is aligned with the pipe and it is closed if the handle is positioned perpendicularly to the pipe. Open or close the ball valve by rotating the handle for 90°.

☑ Maintenance instruction

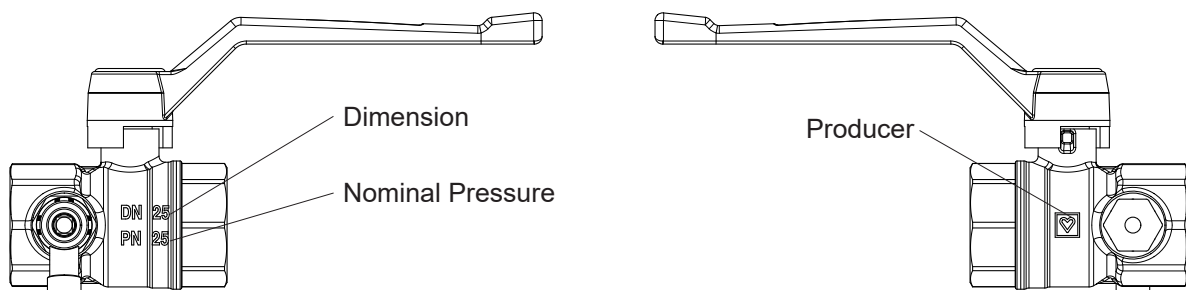
According to EN 806-5 (point 6. Operation) valves should always be in their fully opened or closed position and actuated at regular intervals to ensure they remain operational. Therefore HERZ Ball valves must be closed and opened for several times periodically every six months. This prevents the ball valve from blocking, reduces sediment deposition and reduces the possibility of corrosion inside the valve.

☑ Disposal instruction

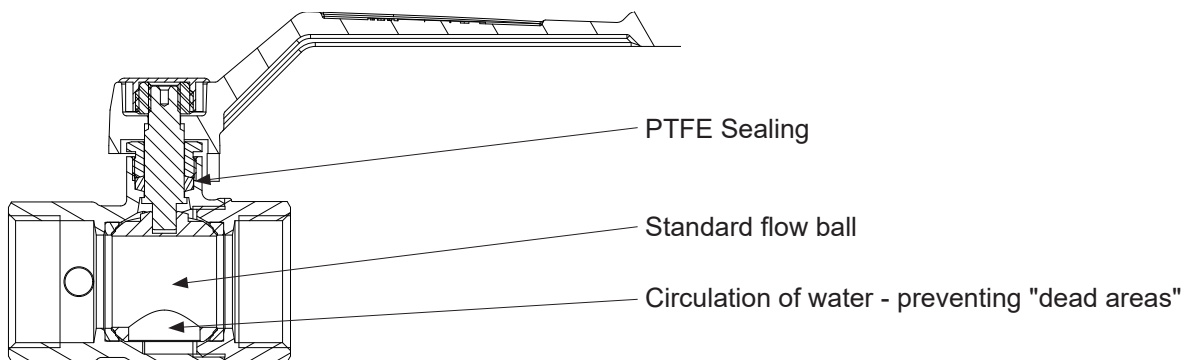
The disposal of HERZ MULTIPORT ball valves must not endanger the health or the enviroment. National legal regulations for proper disposal of the HERZ ball valves for heating and chilled water have to be followed.

☑ Labels on ball valves

☑ Housing



☑ Technical features



Please note: All specifications and information within this document are reflecting the information available at the time of going to print and meant for informational purpose only. Herz Armaturen reserves the right to modify and change products as well as its technical specifications and/or it function according to technological progress and requirements. All diagrams are indicative in nature and do not to be complete. It is understood that all images of Herz products are symbolic representations and therefore may visually differ from the actual product. Colours may differ due to printing technology used. In case of any further questions don't hesitate to contact your closest HERZ Branch-Office.

Spare parts

Illustration	Description	Item number
	Drain plug G1/4" (DN15-DN25)	1 0241 09
	Drain plug G1/2" (DN32-DN50)	1 6383 23
	Plug G1/4" (DN15-DN25)	1 0240 09
	Plug G1/2" (DN32-DN50)	1 2331 01
	Pressure gauge 0 - 10 bar	1 2682 34
	Thermometer	1 0240 01
	Reducing plug G1/2"-1/4" (DN32-DN50)	1 0241 01
	Plug M10 with teflon (DN15-DN20)	1 0242 09
	Drain valve G1/2" INOX (DN32-DN50)	1 8635 56
	Filling ball valve G1/2" (DN32-DN50)	1 2512 01
	Plug G1/4" - M10 (DN25)	1 6319 34
	Plug G1/2" - M10 (DN32-DN50)	1 6319 35